

TRAÇABILITE INDUSTRIELLE

C h e c k & S e c u r e

Fitelec
Production
Check & Secure

DATALOGIC
THE VISION IS YOURS

Lecteur fixe MATRIX 220



56484



The Matrix 220 imager is the most compact image based bar code reader for top performance with the highest flexibility. It is the ideal imager reader for Electronics, Automotive, Packaging and Document Handling applications.

The Matrix 220 imager is designed for superior performance thanks to a 1.2 MPixel high resolution sensor and a new multicore image processing platform.

The innovative lighting solutions with an integrated flexible illumination system makes the Matrix 220 imager perfect for reading bar codes marked with DPM (Direct Part Marking). The Matrix 220 offers in a single model the polarized and diffused light options resulting in optimal illumination on any type of surface. The white and red lights models are capable of solving a huge variety of applications with the best performance. The electronic focus control allows easy remote job changing during assembly line reconfiguration with extreme reading flexibility.

The Matrix 220 imager has the best ease of use because of the green and red spot lights, the X-Press™ button, the intuitive HMI and the DL.CODE™ configuration software, which has been improved with the Automatic Setup mode for a quick and easy code reading.

ESD and Anti-YAG protection are available as front cover accessories to enhance the product flexibility reducing the number of models and simplifying the stock management.

The IP67 and IP65 industrial grade rating and the operating temperature range from -10 to 50 °C/14 to 122 °F guarantee the best quality and robustness in the Manufacturing Industry applications. The Matrix 220 imager offers cost-effective communication options with Power over Ethernet (PoE) connectivity, onboard PROFINET/IO and ETHERNET/IP industrial fieldbus.

With its outstanding performance, the Matrix 220 imager delivers a high performance/price ratio offer in the Datalogic portfolio.



IDENTIFICATION

HIGHLIGHTS

- **Ultra compact dimensions** and rotating connector for easy integration and installation in tight spaces
- Industrial grade **electronic focus** for extreme reading flexibility
- **New All-In-One DPM illuminator.** Polarizing filter and diffused illuminator on one model for many applications needs and strong DPM reading performances
- **New multicore image processing platform** excellent for high speed applications capable of reading up to 2 mils code resolution
- **Hardware Acceleration** to speed up algorithms and improve decoding capabilities
- **Power over Ethernet** option, onboard PROFINET/IO and ETHERNET/IP for **industrial connectivity**
- **Extreme industrial grade** IP65 and IP67 ratings for harsh environments, -10 to 50 °C/14 to 122 °F operating temperature
- **ESD and Anti-YAG** protection as **front cover accessory** for extreme flexibility and optimized stock

APPLICATIONS

Electronics

- Track and trace PCB board manufacturing
- Electronic components (e.g. chip)
- Electronic products tracking
- DPM bar code reading (on plastic, glass, metal)

Automotive

- DPM code validation
- Work-in-progress control
- Parts and assemblies traceability

Packaging

- Primary packaging bar code reading
- Package traceability
- Food & Beverage

Document Handling

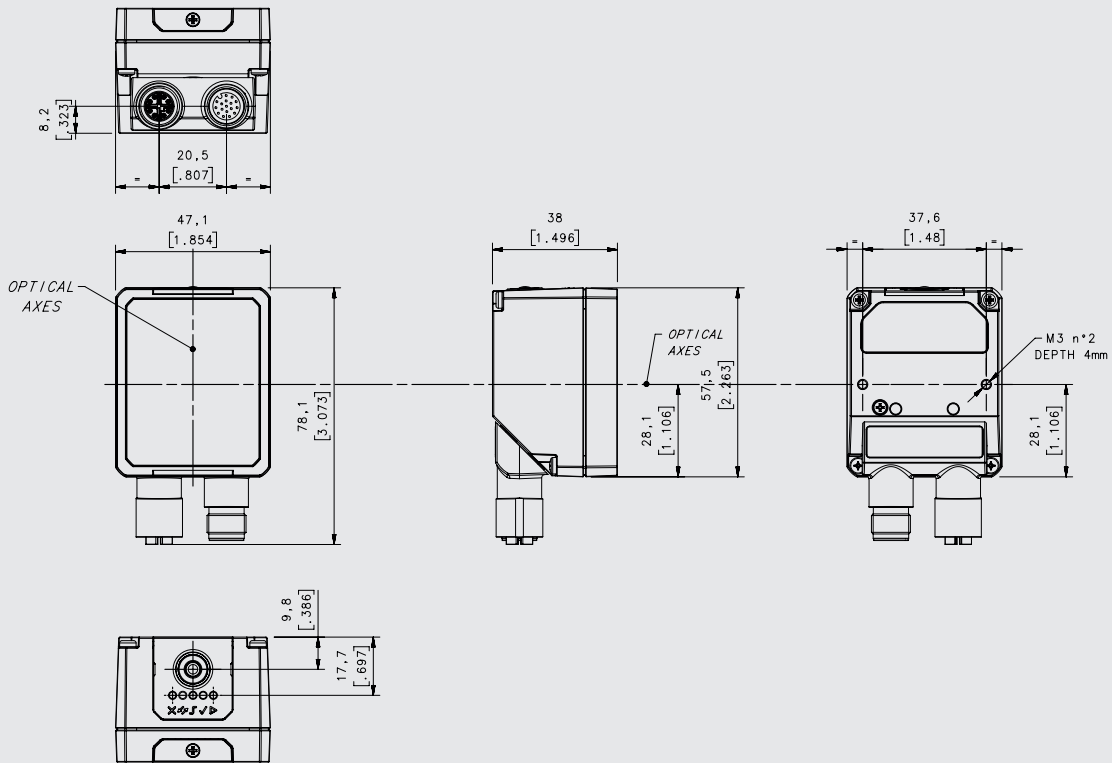
- High speed applications

TECHNICAL DATA

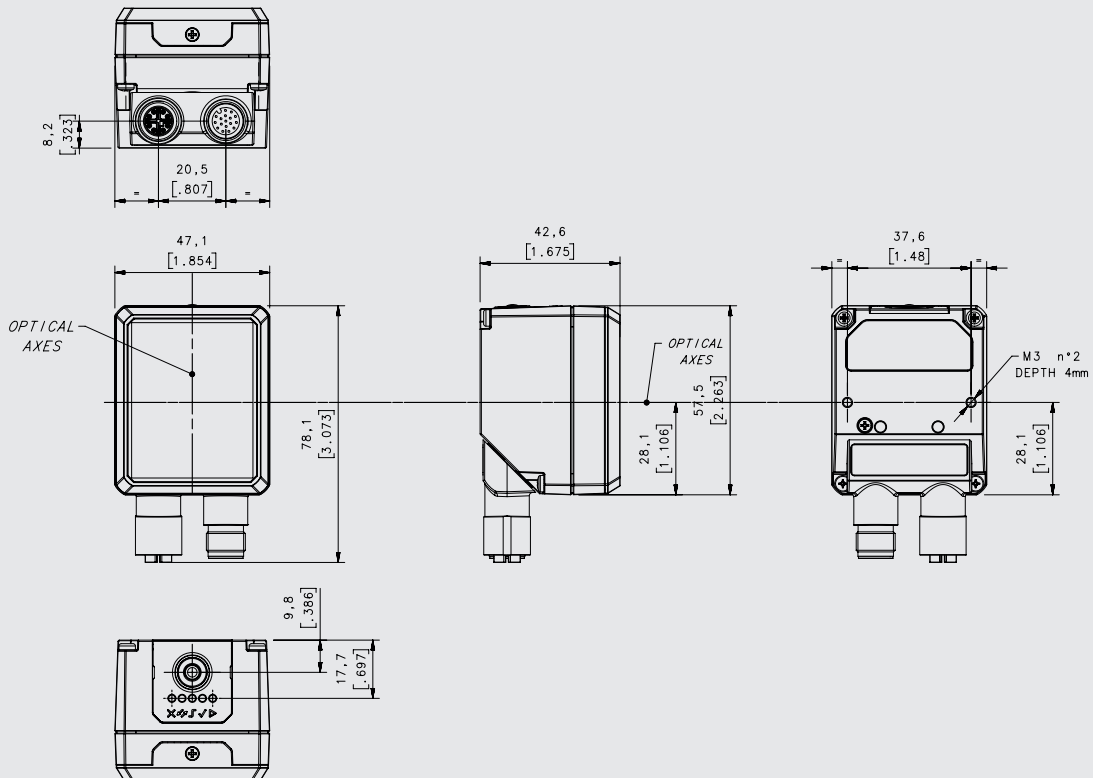
	STANDARD MODEL	DIRECT PART MARKING MODEL
Dimensions	78mm x 47mm x 38mm (3.07 x 1.85 x 1.50 in) Connector at 0° 57mm x 47mm x 58mm (2.63 x 1.85 x 2.30 in) Connector at 90°	
Weight	173 gr (6,1 oz)	
Case Material	Aluminium case and plastic protective window cover	
Operating Temperature	-10 to 50°C (14 to 122 °F)	
Storage Temperature	-20 to 70 °C (-4 to 158 °F)	
Protection Class	IP65, IP67	
ESD Safe	YES, available as front cover accessory	
YAG Laser Protection	YES, available as front cover accessory	
ESD Safe and YAG Laser Protection	YES, available as front cover accessory	
Power Supply	All models except PoE: 10 VDC to 30 VDC PoE models: 48 VDC	
Power Consumption	3,7 Watt	
Sensor	Image resolution 1280 x 960 (1.2 megapixel) - 1/3" CMOS global shutter	
Frame Rate	45 frames/s	
Optical Focus Control	Electronic focus control	
Optical Models/Viewing Angles	7 mm (38,3°), 12 mm (24,1°)	
Reading Range	Minimum: 40 mm Maximum: 400 mm (7 mm lens), 600 mm (12 mm lens)	Minimum: 40 mm Maximum: 300 mm
Illumination	White light	Red light with polarizer and diffuser
Aiming System	2 Red Aimer LEDs	
Polarizing Filter	NO	YES embedded
Readable Symbolologies	1D Codes: all standard 1 dimensional symbologies 2D Codes: Data Matrix, QR Code, Micro QR, Maxicode, Aztec Postal Codes: Royal Mail, Japan Post, Planet, Postnet and many more	
Code Quality Metrics	1D CQ Standard: ISO/IEC 15416 2D CQ Standard: ISO/IEC 16022/18004, ISO/IEC 29158 (AIM-DPM), ISO/IEC 15415	
Embedded Communication Interfaces	All models except PoE: - Ethernet 10/100 Mbit/s: TCP/IP, UDP, FTP and Fieldbus PROFINET-IO, Ethernet IP, Modbus TCP - Serial RS-232/RS422FD up to 115.2 Kbit/s + Serial Aux RS-232 PoE models: - Ethernet 10/100 Mbit/s PoE Mode A and Mode B: TCP/IP, UDP, FTP and Fieldbus PROFINET-IO, Ethernet IP, Modbus TCP - Serial Aux RS-232	
Reader Networking	Datalogic ID-NET™	
Connectivity Modes	Pass Through, Master/Slave, Ethernet point to point	
Digital Inputs	All models except PoE: 2 inputs opto-coupled and polarity insensitive PoE models: 1 input opto-coupled and polarity insensitive	
Digital Outputs	3 Outputs (not available on PoE models): Configurable NPN, PNP, PP short-circuit protected Using CBX the first 2 outputs are opto-coupled	
User Interface	X-PRESS™ Human Machine Interface Beeper, Push Button, 7 LEDs (Status, Communication, Trigger, Good Read, Ready, Power on, Network) Green spot and Red spot LEDs Web Monitoring Interface	
Device Programming	DL.CODE™ Windows-based software (programming via Ethernet or Serial Interface) with Javascript output formatter Host Mode programming X-PRESS™	

DIMENSIONS

MATRIX 220 - STRAIGHT CONNECTORS

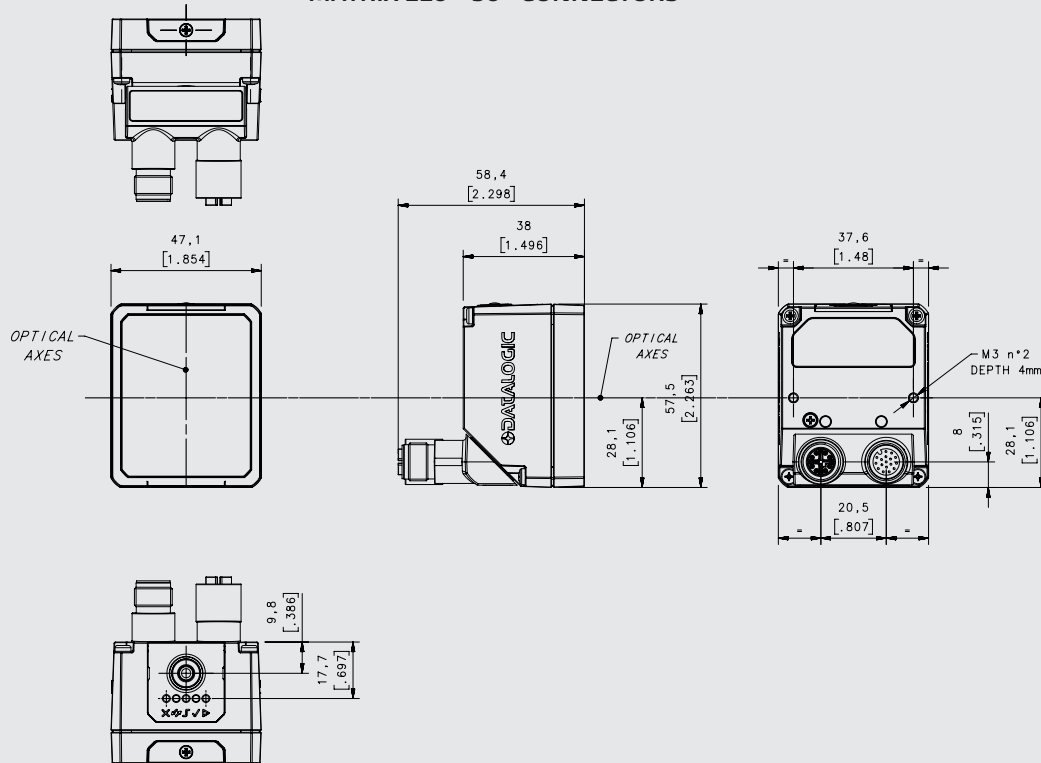


MATRIX 220 - STRAIGHT CONNECTORS & ESD/YAG COVER

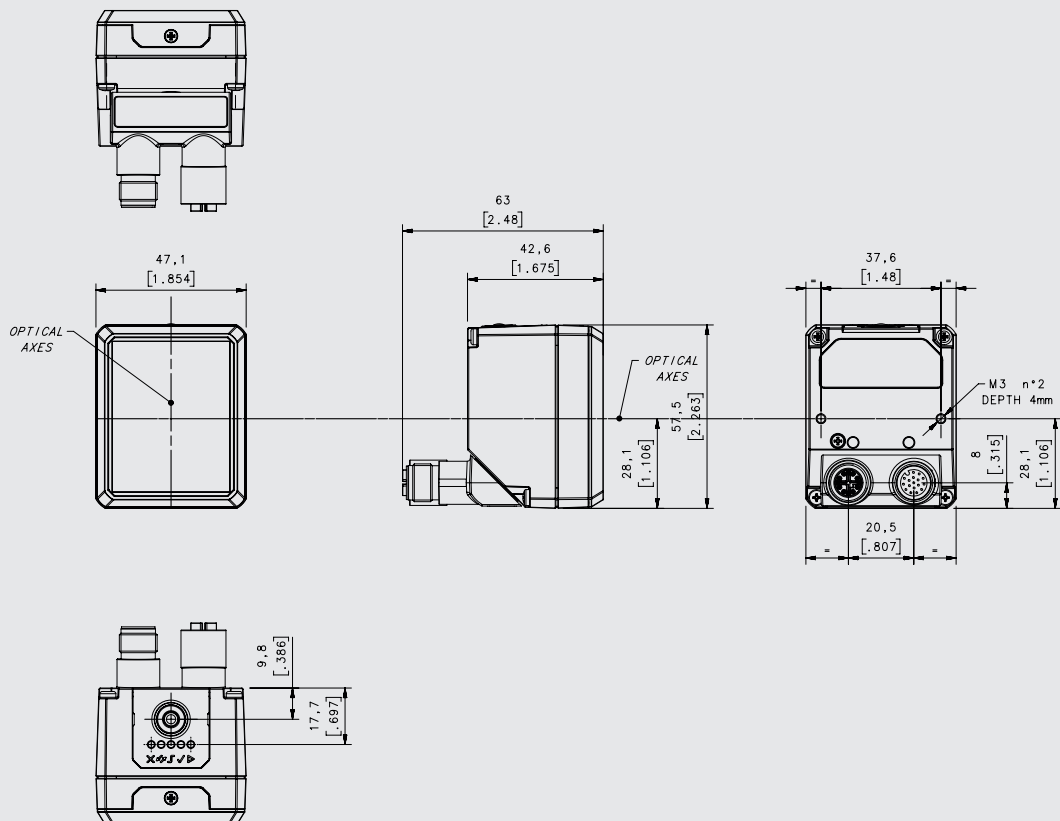


DIMENSIONS

MATRIX 220 - 90° CONNECTORS



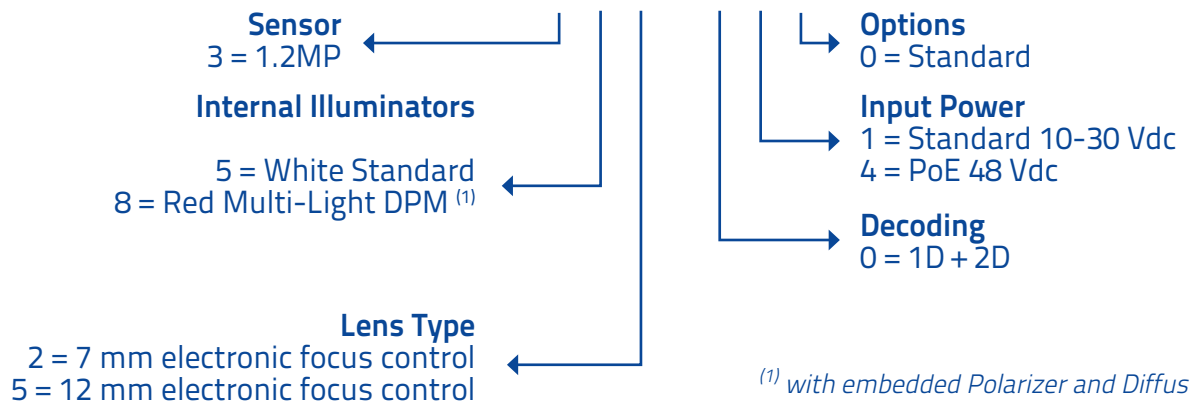
MATRIX 220 - 90° CONNECTORS & ESD/YAG COVER



MODELS

P/N	DESCRIPTION	OPTICAL MODELS		ILLUMINATORS		CONNECTORS	
		7 MM	12 MM	STD - WHITE	DPM - RED	M12 17P + ETH	M12 5P + ETH POE
937900000	MATRIX 220 352-010 1.2MP STD-W 7MM	X		X		X	
937900001	MATRIX 220 355-010 1.2MP STD-W 12MM		X	X		X	
937900002	MATRIX 220 352-040 1.2MP STD-W 7MM POE	X		X			X
937900003	MATRIX 220 355-040 1.2MP STD-W 12MM POE		X	X			X
937900004	MATRIX 220 382-010 1.2MP DPM-R 7MM	X			X	X	
937900005	MATRIX 220 385-010 1.2MP DPM-R 12MM		X		X	X	
937900006	MATRIX 220 382-040 1.2MP DPM-R 7MM POE	X			X		X
937900007	MATRIX 220 385-040 1.2MP DPM-R 12MM POE		X		X		X

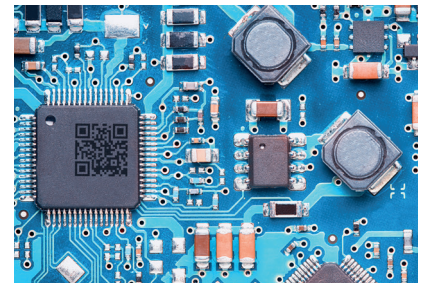
Matrix 220 3 X X - 0 X 0



ACCESSORIES

CATEGORY	P/N	DESCRIPTION
CABLES	93A050058	M12-IP67 Cable To CBX or QL (1M)
	93A050059	M12-IP67 Cable To CBX or QL (3M)
	93A050060	M12-IP67 Cable To CBX or QL (5M)
	93A050122	M12-IP67 GIGA Ethernet Cable X-Coded (1M)
	93A050123	M12-IP67 GIGA Ethernet Cable X-Coded (3M)
	93A050124	M12-IP67 GIGA Ethernet Cable X-Coded (5M)
	93A050128	Adapter Cable GIGA Ethernet X-Coded M12 to RJ45
	93A050129	Adapter Cable GIGA Ethernet X-Coded to Ethernet D-Coded
	FRONT COVER	93ACC0227
93ACC0228		YAG Cut Filter Window Cover M220
93ACC0229		ESD Safe YAG Cut Filter Win Cover M220
BRACKET	93ACC0230	BK-22-000 Fixing Bracket M220 Body

NEW



L'identification automatique fiabilisée



Check & Secure

Programmes applicatifs dédiés au contrôle et sécurisation de l'identification



Systèmes d'identification

Imprimantes, Etiquetage automatique, Logiciels, Lecture 1D/2D, RFID



Assistance & services

Accompagnement de vos projets et maintenance de vos installations



Étiquettes techniques

Conception et fabrication d'étiquettes, standards et transfert thermique

Fitelec
Production

Check & Secure

www.fitelec.fr



4, rue d'Anjou
76240 Le Mesnil-Esnard
Tel 02 35 804 804
Fax 02 35 804 814